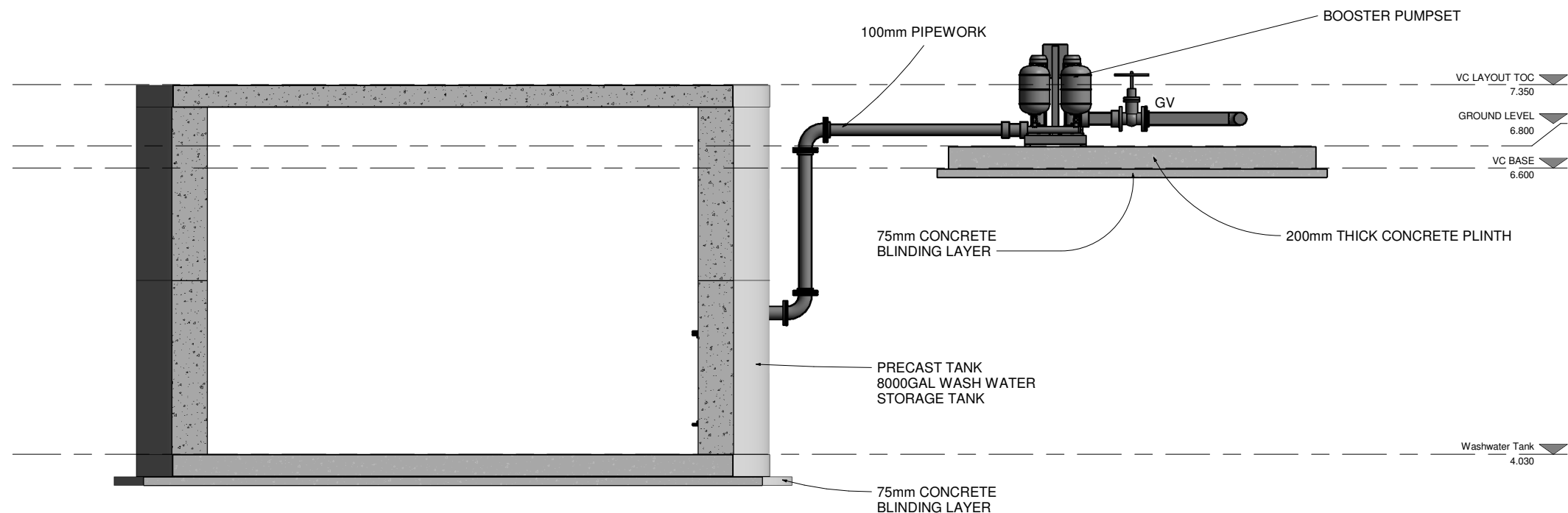


1 Washwater Tank  
1 : 25



2 Section 1  
1 : 25

DO NOT SCALE REDUCED COPY -A3 PRINT

Copyright  
This drawing and any design here on is the copyright of the Consultants and must not be reproduced without their written consent. All drawings remain the property of the Consultants.

THIS DRAWING TO BE READ IN CONJUNCTION WITH ALL RELEVANT ARCHITECTS AND ENGINEERS DRAWINGS.

FIGURED DIMENSIONS ONLY TO BE TAKEN FROM THIS DRAWING.

ALL LEVELS ARE IN METRES AND RELATE TO DATUM AT MALIN HEAD.

THIS DRAWING IS REPRODUCED FROM DIGITAL MAPS:  
O.S. MAPS - Scale 1:2,500  
O.S. MAPS - Scale 1:1,000  
DISCOVERY SERIES - Scale 1:50,000

ALL MAPS ARE REFERENCED TO IRISH NATIONAL GRID (I.T.M.)

REPRODUCED FROM THE ORDNANCE SURVEY OF IRELAND BY PERMISSION OF THE GOVERNMENT. LICENSE NO. 3-3-34.

THIS DRAWING IS A COPY OF AN ELECTRONIC FILE AND IS COPYRIGHT.

ALL DIMENSIONS TO BE CHECKED ON SITE.

ALL MATERIALS AND WORKMANSHIP TO BE IN ACCORDANCE WITH ENGINEERS SPECIFICATION.

IT IS THE CONTRACTORS RESPONSIBILITY TO VERIFY ALL DIMENSIONS AND LEVELS PRIOR TO COMMENCEMENT OF CONSTRUCTION.

Rev.	Suff.	Revision Description	Checked:	Date:
C01	A1	ISSUED FOR EIA/AR	PJ	28-02-23

Client:

**UISCE** Colvill House Tel: 1890 278 278  
EIREANN - IRISH 24-26 Talbot St Int: +353-1-707 2828  
WATER Dublin 1 email: info@water.ie  
Web: www.water.ie

Project:

**CASTLETROY WASTEWATER TREATMENT PLANT**

Clients Representative:

**J. B. Barry and Partners Limited**  
Consulting Engineers

Classon House Tel: +353 1 485 1400  
Dundrum Business email: info@jbbarry.ie  
Park Dundrum Road web: www.jbbarry.ie  
Dublin 14

Drawn By:	LHA	Date:	06/12/22
Checked By:	PH	Date:	06/12/22
Approved by:	PJ	Date:	06/12/22
Internal Project No.	20701-JBB-00-XX-DR-Z	Stage	EIA/AR

Drawing Title:

**PROPOSED WASHWATER BOOSTER PUMP STATION AND SUMP PLAN AND SECTIONS**

Scales: 1 : 25

Drawing No:	20701-JBB-00-XX-DR-Z	01026	Revision:	C01	Suitability:
-------------	----------------------	-------	-----------	-----	--------------

O:20 Project:20701 - Castletroy WwTP (Scale 2-4)000/WP/Dwg/EIA/AR Drawings/March 2023/20701-JBB-00-XX-DR-Z-01026-Proposed Washwater Pump Sump Plan & Section.rvt